

TwistPort™ Adaptor with RP-SMA Connectors

The TPA-SMA6 provides two RP-SMA female coaxial interface to TwistPort™ enabled antennas.



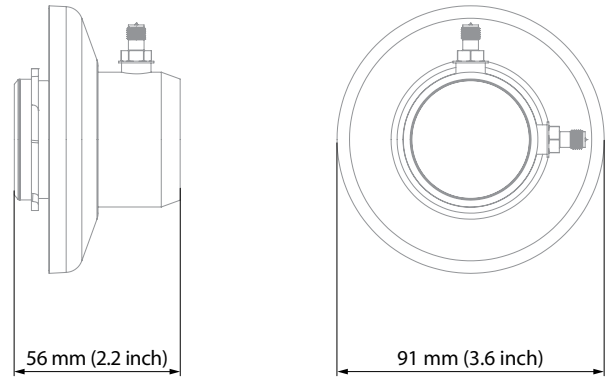
TECHNICAL DATA

Antenna Connection	TwistPort™ - Quick-Locking Waveguide Port
Radio Connection	2x RP-SMA female
Materials	Aluminium
Environmental	IP65
Temperature	-40°C to +60°C (-40°F to +140°F)
Weight	0.13 kg / 0.3 lbs – single unit 0.17 kg / 0.4 lbs – single unit incl. package 3.90 kg / 8.59 lbs – wholesale box (20 units)
Dimensions	Single unit retail box: 110 x 96 x 66 mm (4.3 x 3.7 x 2.6 inch) Wholesale box (20 units): 497 x 237 x 146 mm (19.5 x 9.3 x 5.7 inch)

PERFORMANCE

Frequency Range	5700 - 7125 MHz Check our online SpecCheck for performance data of the particular combination of feed (TPA) and antenna
Polarization	Dual Linear H + V
VSWR	Check our online SpecCheck for performance data of the particular combination of feed (TPA) and antenna
Impedance	50 Ohm

PRODUCT DIMENSIONS



COMPATIBLE WIRELESS PLATFORMS

RF elements®	any WB antenna: SH30WB, SH60WB, SH90WB, AH60WB, AH90WB, UD29WB 5 GHz Antennas: UH-TP-5-24, HG3-TP-S30, UD-TP-21, UD-TP-24, UD-TP-27
--------------	--